

Gate drive unit for high power IGBT modules VLA549



Image size : 64 x 124 x 47t

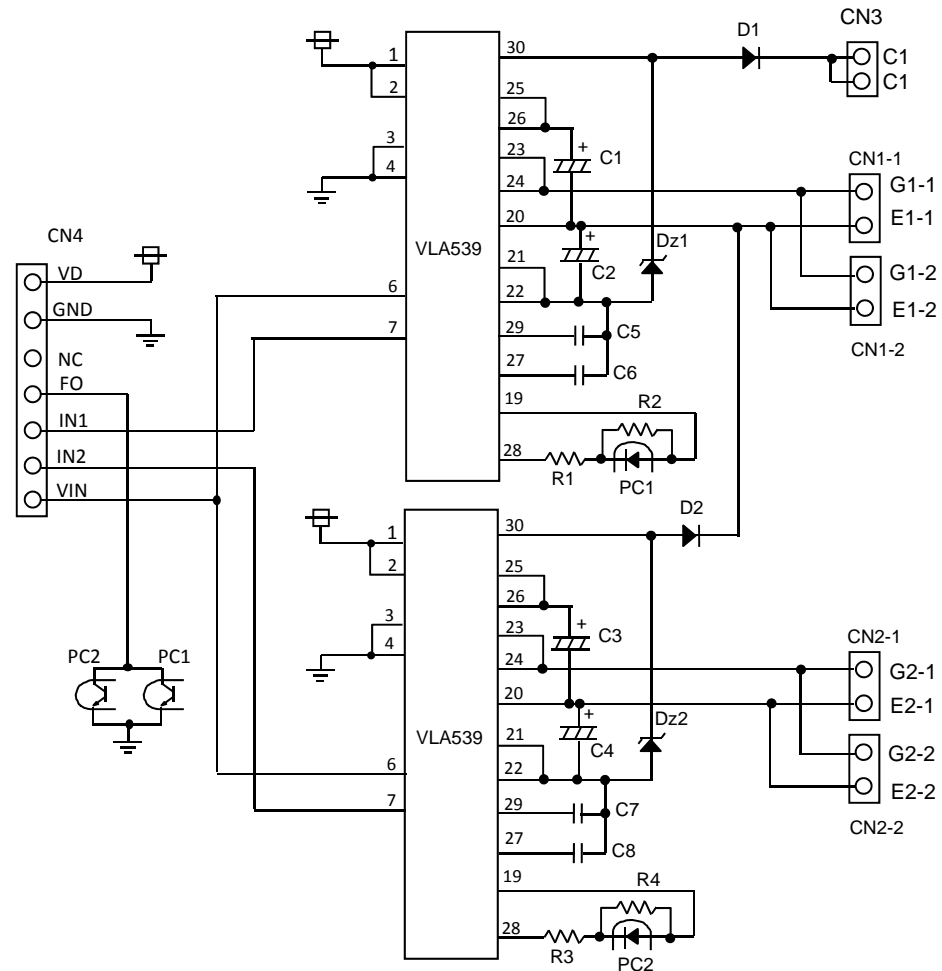
FEATURES:

- Built-in 2 VLA539-01R
- Short circuit protection
- Maximum output current 24A / ch
- Isolation voltage : 4000Vrms 1min
- Simple input power supply VD=15V , VIN=5V
- CMOS compatible input interface

RECOMMENDED IGBT :

- VCES = 1200V, 3600A class
- VCES = 1700V, 3600A class

CIRCUIT DIAGRAM



BLOCK DIAGRAM & CONNECTION EXAMPLE

