

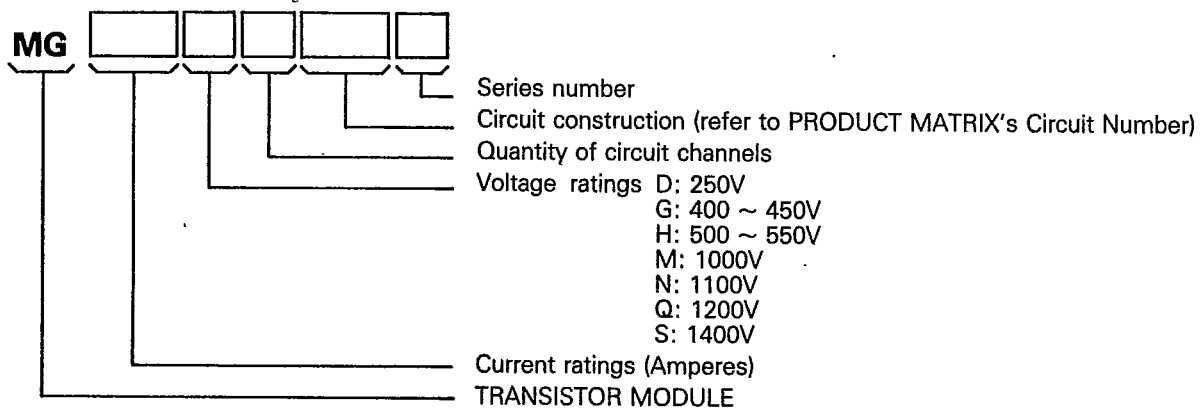
WESTCODE TRANSISTOR MODULES are designed for use in various types of motor control and other high power switching applications and consist of insulated type **DARLINGTON TRANSISTORS**. The electrodes are fully isolated from heat sink. Single ended electrode construction is used to greatly simplify mounting. A wide variety of devices are available with current capability up to 400A and voltage rating up to 1400V.

FEATURES

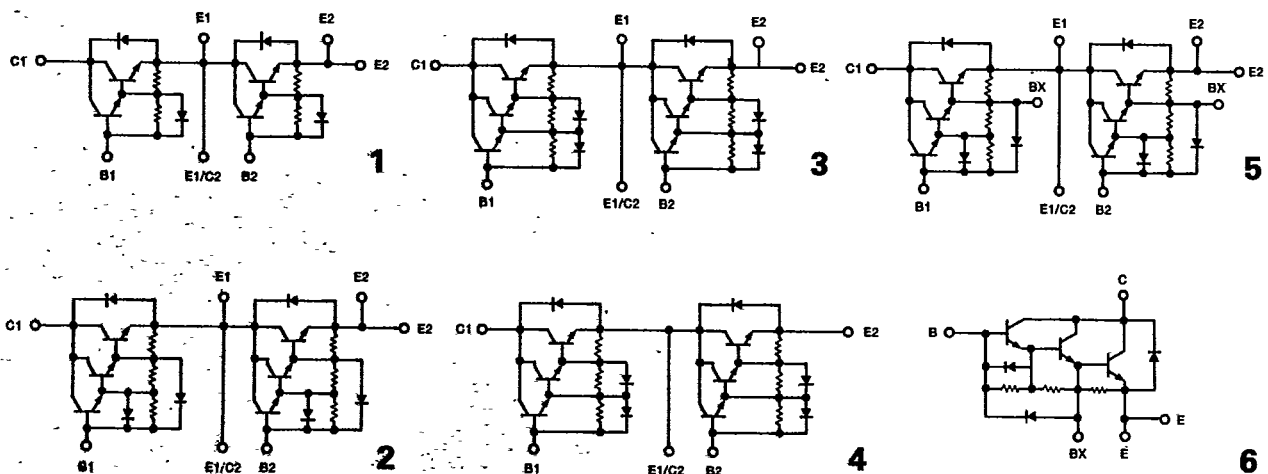
1. Electrodes are isolated from the heat sink (2500V AC).
2. High DC current Gain (h_{FE}) (80 or 100 MIN).
3. Low saturation voltage (2 or 2.5V maximum).
4. Wide safe operating area.

DESIGNATION CODE

Modules are specified by a type number using the format shown below to indicate the characteristics.



EQUIVALENT CIRCUITS



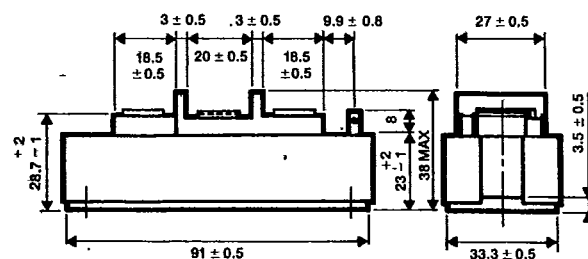
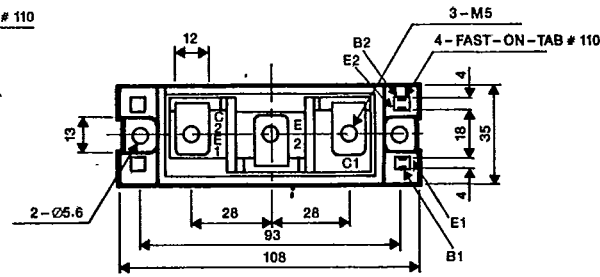
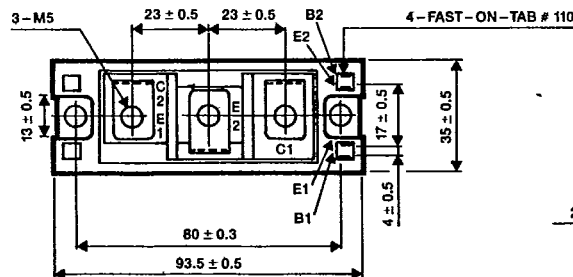
Type	Equiv. Circuit	V _{CBO} (V)	V _{CEX(sus)} (V)	V _{CEO(sus)} (V)	V _{EBO} (V)	I _c (DC) (A)	I _{CP} (A) (1msec)	I _F (DC) (A)	I _{FM} (A) (1msec)	I _B (A)	P _C (W) Tc25°C	h _{FE} min
MG15N2YK1	2	1100	1100	900	7	15	30	15	30	1.5	150	100
MG25M2YK1	3	1000	1000	880	7	25	50	25	50	1.5	300	100
MG25N2YK1	2	1100	1100	900	7	25	50	25	50	2.5	300	100
MG30G2YL1	1	600	600	450	6	30	60	30	60	10	350	100
MG50G2YL1	1	600	600	450	6	50	100	50	100	5	300	100
MG50M2YK1	3	1000	1000	880	7	50	100	50	100	5	350	100
MG50N2YK1	3	1100	1100	900	7	50	100	50	100	5	350	100
MG50Q2YK1	3	1200	1200	900	7	50	100	50	100	5	350	100
MG75G2YL1	1	600	600	450	6	75	150	75	150	10	350	80
MG75M2YK1	4	1000	1000	880	7	75	150	75	150	5	400	100
MG75Q2YK1	2	1200	1200	900	7	75	150	75	150	10	400	100
MG100H2YL1	4	600	600	550	7	100	200	100	200	3	400	200
MG100M2YK1	5	1000	1000	880	7	100	200	100	200	10	700	100
MG100Q2YK1	5	1200	1200	900	7	100	200	100	200	10	700	100
MG150M2YK1	5	1000	1000	880	7	150	300	150	300	15	800	100
MG160Q2YK1	5	1200	1200	900	7	150	300	150	300	20	800	100
MG200M1UK1	6	1000	1000	880	7	200	400	200	400	20	1400	100
MG200Q1UK1	6	1200	1200	900	7	200	400	200	400	20	1400	100
MG300M1UK1	6	1000	1000	880	7	300	600	300	600	30	1600	100
MG300Q1UK1	6	1200	1200	900	7	300	600	300	600	30	1600	100

All Types

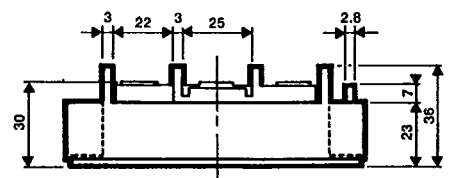
Max. T_j 150°C
 Storage Temp. Range -40/+125°C
 Isolation Voltage 2500V
 (AC 1 minute)

h_{FE} at I_c = I_{c(DC)}
 V_{CE} = 5V T_j 25°C
 V_{CE(sat)} at I_c = I_{c(DC)}
 V_{BE(sat)} I_B = 0.02 I_c
 T_j = 25°C

**Screw Torque
 Terminal M4/M6 Mounting.

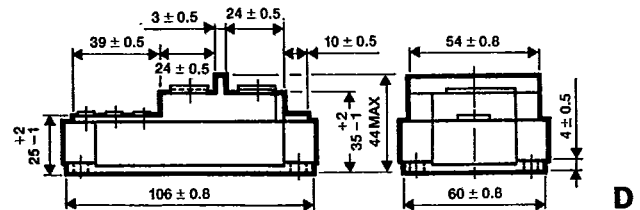
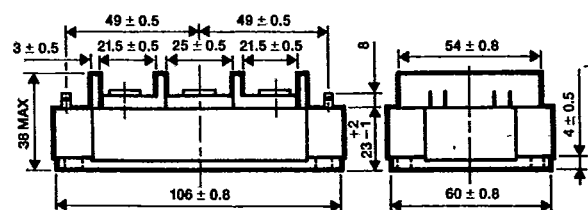
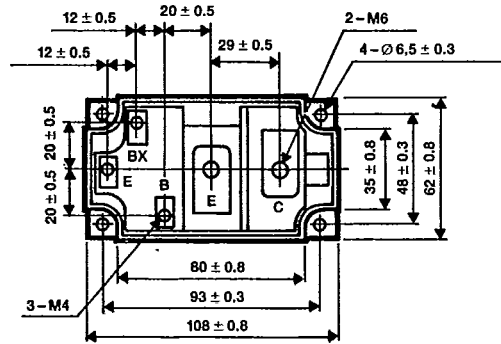
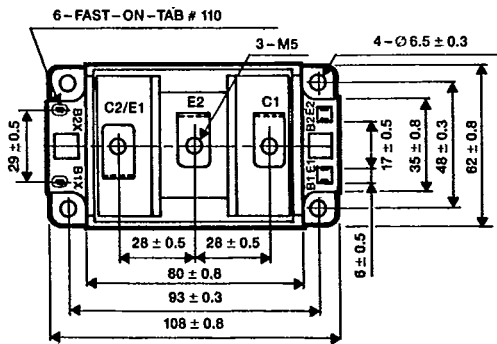


A



B

V _{CE(sat)} Max(V)	V _{BE(sat)} Max(V)	t _{on} (μ S) Max	t _s (μ S) Max	t _f (μ S) Max	V _F (V) Max	t _{rr} (μ S) Max	R _{th(j-s)} °C/W max		Outline Drawing	Screw Torque Terminal Mount Kg.cm
							Transistor	Diode		
2.5	3.5	2.0	11.0	6.0	1.5	1.0	0.83	1.3	A	20/30
2.5	3.5	2.0	15.0	5.0	1.7	1.0	0.41	1.3	A	20/30
2.5	3.5	2.0	14.0	6.0	1.7	1.0	0.41	1.3	A	20/30
2.0	2.5	1.0	12.0	3.0	1.6	1.0	0.625	1.8	A	20/30
2.0	2.5	1.0	12.0	2.0	1.7	2.0	0.41	1.3	A	20/30
2.5	3.5	2.0	15.0	5.0	1.7	1.0	0.35	1.3	A	20/30
2.5	3.5	2.0	15.0	5.0	1.7	1.0	0.35	1.3	A	20/30
2.5	3.5	3.0	15.0	5.0	1.8	1.0	0.35	1.3	A	20/30
2.0	2.5	2.0	12.0	2.0	1.7	2.0	0.36	1.3	A	20/30
2.5	3.5	2.0	15.0	5.0	1.8	1.0	0.31	1.3	B	20/30
2.5	3.5	3.0	15.0	5.0	1.8	1.0	0.31	1.3	B	20/30
2.5	3.5	2.0	12.0	3.0	1.8	0.7	0.31	1.3	C	30/30
2.5	3.5	2.0	15.0	5.0	1.8	1.0	0.179	0.65	C	30/30
2.5	3.5	3.0	15.0	5.0	1.8	1.0	0.179	0.65	C	30/30
2.5	3.5	2.0	15.0	5.0	1.8	1.0	0.156	0.65	C	30/30
2.5	3.5	3.0	15.0	5.0	1.8	1.0	0.156	0.65	C	30/30
2.5	3.5	2.0	15.0	5.0	1.8	1.0	0.089	0.325	D	20/30/30**
2.5	3.5	4.0	15.0	5.0	1.8	1.0	0.089	0.325	D	20/30/30**
2.5	3.5	2.0	15.0	5.0	1.8	1.0	0.078	0.325	D	20/30/30**
2.5	3.5	4.0	15.0	5.0	1.8	1.0	0.078	0.325	D	20/30/30**



4 1021 C-08